



GYMNASIUM EQUIPMENT

SPALDING®



Spalding Gymnasium Equipment



Under the manufacturing expertise of American Athletic, Inc., Spalding offers a complete line of ceiling-suspended and wall-braced basketball backstops, divider curtains; portable basketball backstops, backboards, rims, pads and accessories; volleyball systems, referee platforms and accessories; retractable batting cages; and protective padding.

At Spalding, we are committed to leading the way in the development of the highest quality products and staying ahead of the latest trends in sports construction.

Spalding offers competitive pricing and superior product designs. Our experienced engineering, drafting and sales professionals provide customer support that is second to none.

Spalding is your one-source solution for all of your gymnasium equipment needs.



“At Spalding, we are committed to leading the way in the development of the highest quality products and staying ahead of the latest trends in sports construction.”

Scott Creelman
President and CEO of Spalding

A LEGACY OF INNOVATION



800.435.3865 • www.spaldingequipment.com



Content Guide

Showcase Facilitiespages 1&2

Ceiling-Suspended Backstopspages 3-5

Wall-Braced Backstopspage 6

Backstop Accessoriespages 7&8

Glass Backboardspage 9

Backboard Paddingpage 9

Non-Glass Backboardspage 10

Basketball Goalspages 11&12

Volleyball Uprightspages 13-16

Volleyball Netspage 16

Volleyball Accessoriespages 17-19

Divider Curtainspages 20&21

Retractable Batting Cagespage 21

Protective Wall Paddingpage 22

Portable Basketball Backstopspages 23-26

Outdoor Pole Systemspage 27

Gymnasium Equipment Controlspage 28



Showcase Facilities



Boston College University



Penn State University

Americus High School	Americus, GA
Appalachian State University	Boone, NC
Bayshore High School	Bayshore, NY
Bishop Mangué High School	Reno, NV
Bismark Civic Center	Bismark, ND
Boston College	Chestnut Hill, MA
Bowling Green National Guard	Bowling Green, OH
Brookville Schools	Brookville, OH
Butte Central High School	Butte, MT
California Los Angeles, University of	Los Angeles, CA
Cesar Chavez High School	Detroit, MI
Chicago State University	Chicago, IL
Cincinnati, University of	Cincinnati, OH
College of William & Mary	Williamsburg, VA
Dayton, University of	Dayton, OH
Duke University	Durham, NC
Emory University	Atlanta, GA
FedEx Forum	Memphis, TN
Florida Atlantic University	Boca Raton, FL
Florida State University	Tallahassee, FL
Foothill College	Los Altos Hills, CA
Ford Center Arena	Oklahoma City, OK
Genesco High School	Genesco, IL
Geneva High School	Geneva, OH
Golden State Warriors	Oakland, CA
Indy Sports Academy	Indianapolis, IN
Iowa, University of	Iowa City, IA
John O'Donnell Stadium	Davenport, IA
Kauffman Stadium	Kansas City, MO
Labrae High School	Leavettsburg, OH
Lawrence Joel Coliseum	Winston-Salem, NC
Louisiana State University	Baton Rouge, LA
Mary Hardin-Baylor, University of	Belton, TX

SHOWCASE FACILITIES



Showcase Facilities



United States Military Academy

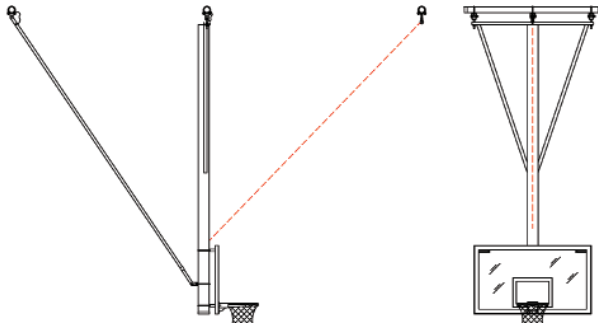


University of Virginia

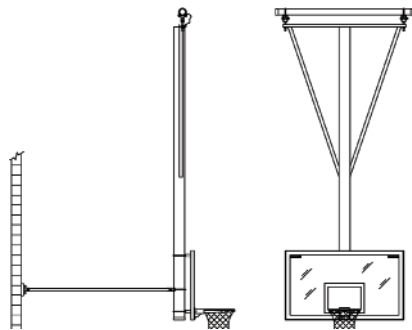
- Missouri, University ofColumbia, MO
- Moorhead Horizon Middle SchoolMoorhead, MN
- Munford High SchoolMunford, AL
- Nevada Basketball AcademyReno, NV
- New Bonners Ferry High SchoolBonners Ferry, ID
- New Mexico, University ofAlbuquerque, NM
- Noblesville Boys and Girls ClubNoblesville, IN
- North Carolina State UniversityRaleigh, NC
- Northern California Volleyball Assn.San Francisco, CA
- Patton Junior High SchoolFt. Leavenworth, KS
- Penn State UniversityState College, PA
- PETCO ParkSan Diego, CA
- Princeton UniversityPrinceton, NJ
- Roger Ludlowe High SchoolFairfield, CT
- Secretaria De Estado ObrasSanto Domingo, Dominican Republic
- Southern Illinois UniversityCarbondale, IL
- Spring Mills Middle SchoolHedgesville, WV
- Stanford UniversityStanford, CA
- St. Christophers SchoolRichmond, VA
- St. George SchoolSpokane, WA
- St. Johns UniversityJamaica, NY
- Tarkanian Basketball AcademyLas Vegas, NV
- Temple UniversityPhiladelphia, PA
- Tennessee State UniversityNashville, TN
- Texas A&M UniversityCollege Station, TX
- Travelers Rest High SchoolGreenville, SC
- Tusculum College Pioneer ParkGreenville, TN
- Tyson/IBP Events CenterSioux City, IA
- United States Military Academy, West PointWest Point, NY
- Valley View High SchoolJonesboro, AR
- Verdugo Hills YMCATujunga, CA
- Virginia-Aquatic Center, University ofCharlottesville, VA
- Wright State UniversityDayton, OH



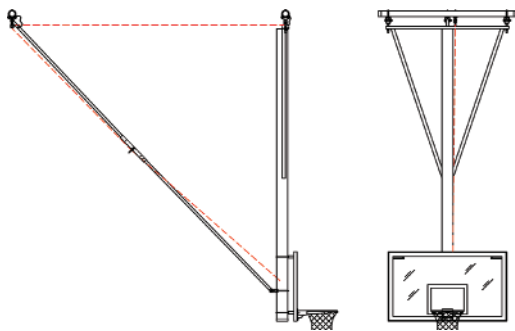
Single Mast Ceiling-Suspended Backstops



1017 - Forward Fold, Rear Braced



1018 - Stationary, Wall-Braced



1023 - Back Fold, Rear Braced



Single Mast Features

- Spalding is the only manufacturer to include Safety Cables as standard
- Safety Cables are laboratory tested to ensure maximum safety and prevent the structure from falling and causing injury
- Meets official NCAA and NFHS regulations
- Adjustable support hangers allow precise frame placement, leveling and alignment during installation
- Includes custom steel bank extension fittings
- Vertical main mast consists of 6⁵/₈" O.D. heavy structural steel pipe with die-cut saddle welded diagonal side braces made of 2" heavy wall square tubing
- Electrostatically-applied and baked on powder coated finish
- Available in custom colors

Standard Powder Coat Colors - contact the factory for custom options



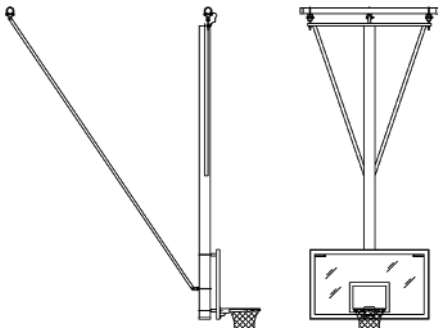
CEILING-SUSPENDED



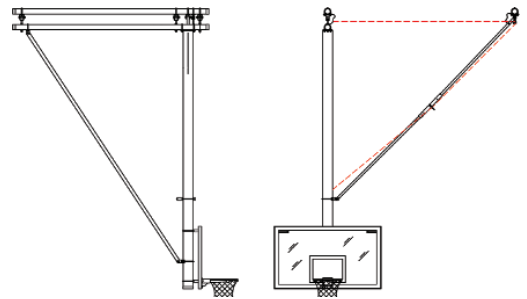
800.435.3865 • www.spaldingequipment.com



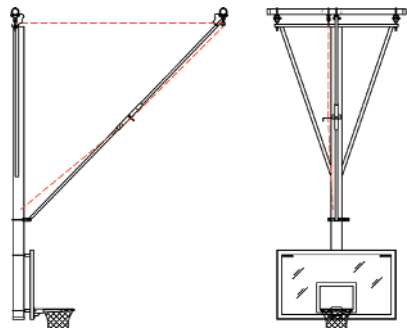
Single Mast Ceiling-Suspended Backstops



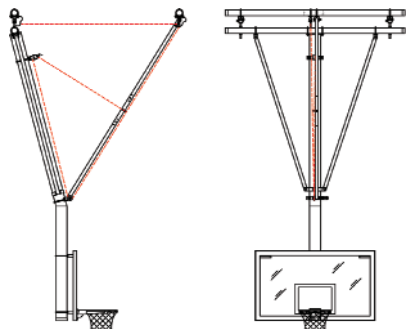
1026 - Stationary, Rear Braced



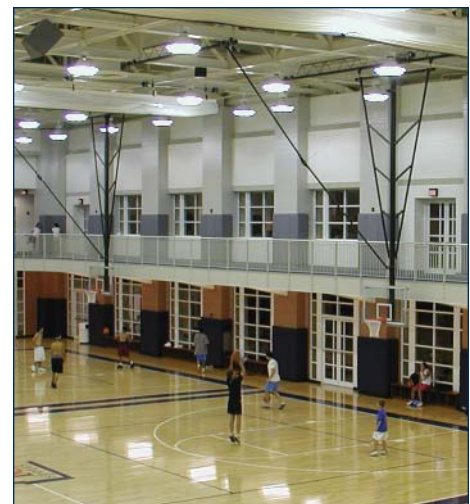
***1055 - Side Fold, Rear Braced**
*also available with Front Braced



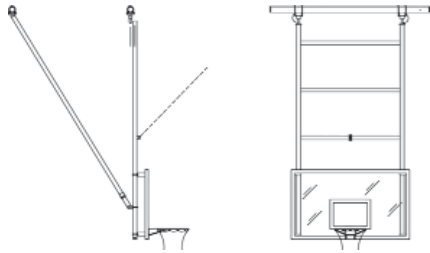
1049 - Forward Fold, Front Braced



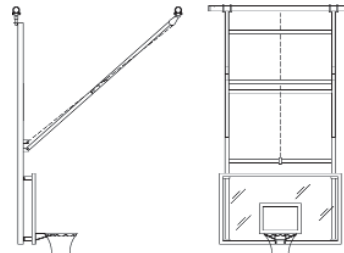
1050 - Forward Fold, Front Braced



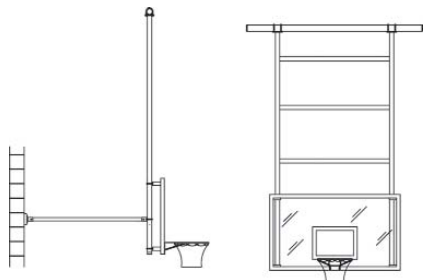
Double Mast Ceiling-Suspended Backstops



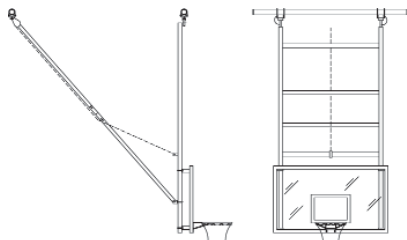
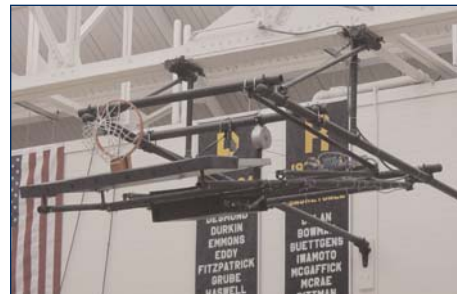
2017 - Forward Fold, Rear Braced



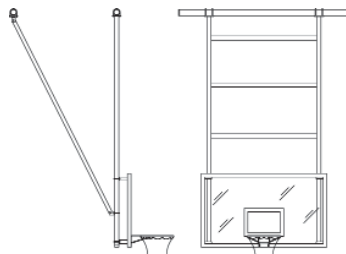
2049 - Forward Fold, Front Braced



2018 - Stationary, Wall-Braced



2023 - Back Fold, Rear Braced



2026 - Stationary, Rear Braced

Double Mast Features

- Spalding is the only manufacturer to include Safety Cables as standard
- Safety Cables are laboratory tested to ensure maximum safety and prevent the structure from falling and causing injury
- Meets official NCAA and NFHS regulations
- Adjustable support hangers allow precise frame placement, leveling and alignment during installation
- Includes custom steel bank extension fittings
- Vertical double drop mast consists of 2³/₈" O.D. drop pipes with saddle-cut and welded cross members above backboard
- Electrostatically-applied and baked on powder coated finish
- Available in custom colors

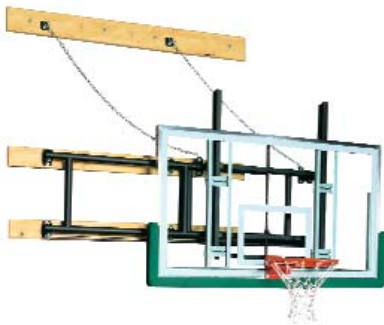
CEILING-SUSPENDED



800.435.3865 • www.spaldingequipment.com



Wall-Braced Backstops



Wall-Braced Side Fold Backstop*

- Available in extension lengths from 3'-13' from wall (all extension lengths require 1/4" "high fatigue" aircraft cable - cable included)
- 2" square schedule 40 steel extension pipes containing welded braces at required intervals
- Telescoping diagonal brace includes locking mechanism and adjustable collar, allowing structure to be precisely placed in playing position from the floor utilizing a factory furnished hand crank
- Off-set hinges with 1/4" heavy-duty flanges at wall board and backboard locations

See Price List For Model Numbers.



Wall-Braced Stationary Backstop*

- Available in extension lengths from 8"-13' from wall (extensions more than 1'-6" require 1/4" "high fatigue" aircraft cable - cable included)
- 2" square schedule 40 steel extension pipes containing welded braces at required intervals
- 1/4" heavy-duty flange at both pipe ends for attachment to wall boards and backboards

See Price List For Model Numbers.



Wall-Braced Fold-Up Backstop*

- Available in extension lengths from 3'-13' from wall (all extension lengths require 1/4" "high fatigue" aircraft cable - cable included)
- Includes Manual Winch - see page 7 (optional Electric Winch)
- 2" square schedule 40 steel extension pipes containing welded braces at required intervals
- Hinges with 1/4" heavy-duty flanges at wall board and backboard locations
- 3 1/2" diameter deep-groove bronze bushing cable pulley for hoisting

See Price List For Model Numbers.



*All Wall-Braced Backstops Feature

- Compatible with all backboards and height adjusters (custom structures required for other manufacturers' backboards)
- Black powder coated finish (custom colors available)
- Five-year warranty



Backstop Accessories



Electric Winch

- Instantly reversing ¾ HP motor
- Over 1,000 lbs. of line pull at 9 feet per minute
- Large grooved drum with a 4½" diameter
- High speed worm gear supported for both radial and thrust loads
- Positive locking - double reduction worm gear drive provides a 200:1 reduction rate
- Sealed gear case provides maintenance-free operation
- Includes Deluxe Key Switch (shown below)
- Five-year warranty

402-742 Electric Winch



Deluxe Key Switch for Electric Winch

- Two-year warranty
- 402-991 Deluxe Key Switch for Electric Winch**



Portable Winch Operator

- High torque ½" angle-head drill motor, allowing for electrical operation of manual winch
- Includes Socket
- One-year warranty

402-761 Portable Winch Operator
023-803 Socket



Aut-O-Loc Safety Belt for Backstops

- Lightweight - only 14 lbs. / 6.43kg
- Rated for a maximum of 1,000 lbs. / 453.51kg
- Fully automatic
- Spring loaded to retract up to 35 feet. Optional 45 foot / 13.7 meter lead belt is also available
- Sets by internal force, for immediate and positive setting or centrifugal force
- Five-year warranty

402-765 Aut-O-Loc Safety Belt for Backstops



Manual Winch

- Heavy-duty 1,000 lb. capacity
- Ample, oversized flanges prevent the cable from climbing drum ends
- Efficient 40:1 worm gear ratio
- Long-lasting, ball-bearing type thrust bearing
- Maintenance-free lifetime sealed gear case
- Wall board included
- Five-year warranty

402-760 Manual Winch 1,000 lb. Capacity with Handle
014-815 Replacement Handle



Remote Control Transmitter for Electric Winch

402-753

Remote Control Receiver for Electric Winch

402-754 (not shown)

- Two-year warranty

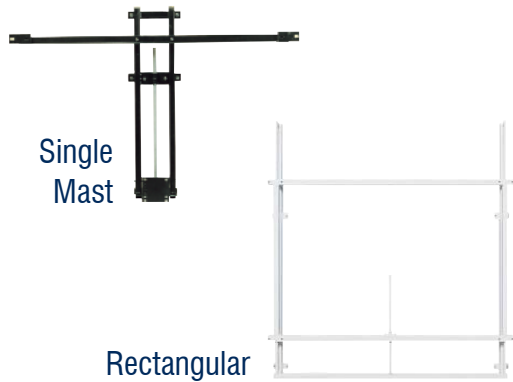
BACKSTOP ACCESSORIES



800.435.3865 • www.spaldingequipment.com



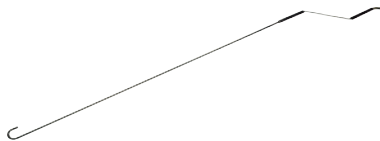
Backstop Accessories



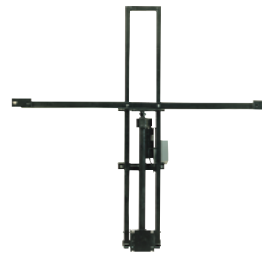
Manual Height Adjusters

- Enables backboard adjustment between 8-10 feet on Wall-Braced and Ceiling-Suspended Backstops
- Compatible with Fan Shaped and Rectangular Backboards on Single or Double Mast Backstops
- Large coupling nut provides maximum stability
- Black powder coated finish (custom colors available)
- Includes crank handle with hook
- One-year warranty

- 313-338 1810R for SuperGlass™ Prosb (72" x 42")**
- 313-336 1810R for SuperGlass™ Pro (72" x 48")**
- 313-335 1810R for SuperGlass™ Scholastic (72" x 48")**
- 313-333 1810R for SuperGlass™ Scholasticsb (72" x 42")**
- 313-337 1810R for Bantam (54" x 42")**
- 313-334 1810F for Fan Shaped Backboards**
- 313-332 1810S for Single Mast Backstop**



313-313 HA-105S Crank Handle Height Adjuster with Hook



Electric Height Adjusters

- Enables backboard adjustment between 8-10 feet on Wall-Braced and Ceiling-Suspended Backstops
- Compatible with Fan Shaped and Rectangular Backboards on Single or Double Mast Backstops
- Operated from floor with keyed switch or TotalGym™ Controller
- Black powder coated finish (custom colors available)
- One-year warranty

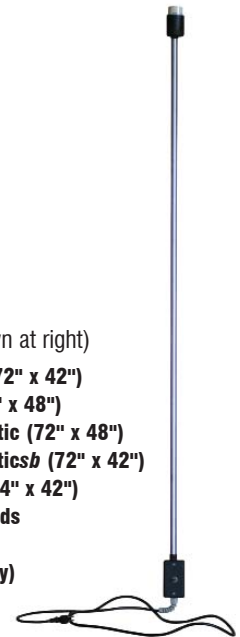
- 313-348 for SuperGlass™ Prosb (72" x 42")**
- 313-346 for SuperGlass™ Pro (72" x 48")**
- 313-345 for SuperGlass™ Scholastic (72" x 48")**
- 313-343 for SuperGlass™ Scholasticsb (72" x 42")**
- 313-347 for Bantam Backboard (54" x 42")**
- 313-344 for Fan Shaped Backboards**
- 313-342 for Single Mast Backstop**



Electric Height Adjuster

- Operated with Power Bar (shown at right)

- 313-358 for SuperGlass™ Prosb (72" x 42")**
- 313-356 for SuperGlass™ Pro (72" x 48")**
- 313-355 for SuperGlass™ Scholastic (72" x 48")**
- 313-353 for SuperGlass™ Scholasticsb (72" x 42")**
- 313-357 for Bantam Backboard (54" x 42")**
- 313-354 for Fan Shaped Backboards**
- 313-352 for Single Mast Backstop**
- 313-360 Power Bar (sold separately)**



Glass Backboards / Backboard Padding



SuperGlass™ Pro Backboard

- Unbreakable regulation glass backboard for professional, collegiate and international competition
- ½" tempered glass w/2" border and target
- Patented sub-frame mounting design prevents rim from touching the glass
- Pre-drilled frame for bolt-on backboard padding
- Compatible with Main Court Portable Backstops as well as Wall-Braced and Ceiling-Suspended units
- Meets all FIBA, NCAA, and NFHS specifications
- Lifetime warranty (vandalism, acts of nature, and outdoor use are not covered)
- U.S. Patent No. 4,433,839

413-001 SuperGlass™ Prosb Backboard 72" x 42"

413-000 SuperGlass™ Pro Backboard 72" x 48"



SuperGlass™ Scholastic Backboard

- Regulation glass backboard for collegiate and high school competition
- ½" tempered glass w/2" border and target
- Compatible with Side Court Portable Backstops as well as Wall-Braced and Ceiling-Suspended units
- Meets all FIBA, NCAA, and NFHS specifications
- Rubber sheathed mounting bolts eliminate contact between metal and glass
- Pre-drilled frame for bolt-on backboard padding
- 20-year warranty; Lifetime on direct mounts

411-007 SuperGlass™ Scholasticsb Backboard 72" x 42"

411-008 SuperGlass™ Scholastic Backboard 72" x 48"



E-Z Bolt Padding for Glass Backboards

- Bolt-on backboard padding for rectangular glass backboards
- Constructed of molded urethane with 2¼" wide channel
- Meets NBA, NCAA, NFHS and FIBA specifications
- Eight bolts provide for easy attachment to 72" glass backboard
- Five-year warranty

413-410 Maroon

413-411 Red

413-412 Orange

413-413 Gold

413-414 Gray

413-415 Kelly Green

413-416 Forest Green

413-417 Light Blue

413-418 Royal Blue

413-419 Navy

413-420 Purple

413-421 Black

54" Bolt-On Padding Also Available



Peel 'N' Stick Padding for Glass Backboards

- Peel-off adhesive backboard padding
- Constructed of closed cell rubber with 2¼" wide channel
- Installs without drills or bolts
- Mitered corners for exact fit
- Meets NFHS specifications
- One-year warranty

411-400 Gray

411-401 72" Gray

411-402 Red

411-403 Green

411-404 Royal Blue

411-405 Navy

54" Peel 'N' Stick Padding Also Available In 5 Colors

BACKBOARDS / PADDING



800.435.3865 • www.spaldingequipment.com



Non-Glass Backboards



Fiberglass Backboard

- Fiberglass backboard for indoor/outdoor play
- 1 1/8" thick high-density thermally fused panel
- Three layers of fiberglass on the backboard face and two layers on the back
- Hand laminated for added strength
- Gel Coat sealant provides a moisture-proof barrier
- Mounting pattern: Fiberglass Backboard 63" x 42"; Fiberglass Backboard 63" x 36"
- Goal mounting pattern: Fiberglass Backboard 5" x 5"; Fiberglass Backboard 5" x 4"
- Lifetime warranty: indoor; 10-year warranty: outdoor; Lifetime warranty on direct mounts (vandalism and acts of nature not covered)

413-051 Fiberglass Backboard 72" x 42"

413-050 Fiberglass Backboard 72" x 48"



Fibresin Rectangular Backboard

- Regulation size synthetic backboard
- Mounting pattern: Fibresin Rectangular Backboard 63" x 42"; Fibresin Rectangular Backboard 63" x 36"
- Goal mounting pattern: Fibresin Rectangular Backboard 5" x 5"; Fibresin Rectangular Backboard 5" x 4"
- Ten-year indoor warranty; Lifetime warranty on direct mounts (vandalism, acts of nature, and outdoor use not covered)

413-041 Fibresin Rectangular Backboard 72" x 42"

413-040 Fibresin Rectangular Backboard 72" x 48"



Steel Backboard

- Steel backboard for indoor/outdoor play
- White electrostatic powder coated with graffiti resistant finish
- Backboard mounting pattern: 63" x 36"
- Goal mounting pattern: 5" x 4"
- One-year warranty; Lifetime warranty on direct mounts (vandalism and acts of nature not covered)

411-054 Steel Bantam Backboard 54" x 39"

413-062 Steel Backboard 72" x 42"



Steel Front Mount Fan Backboard

- Steel fan backboard for indoor/outdoor play
- 12-gauge steel
- White electrostatic powder coated with graffiti resistant finish
- Reinforced with horizontal channels for vibration-free action
- Vertical strong-back that strengthens the rim area
- Bolt keeper system allows for easy installation
- Recommended for direct mount on OD1 outdoor pole
- Backboard mounting pattern: 35" x 20"
- Goal mounting pattern: 5" x 5"
- One-year warranty; 3-year warranty on direct mount (vandalism and acts of nature not covered)

413-209 Steel Front Mount Fan Backboard 54" x 39"

413-208 Steel Front Mount Fan Backboard 54" x 39" w/orange target



Basketball Goals

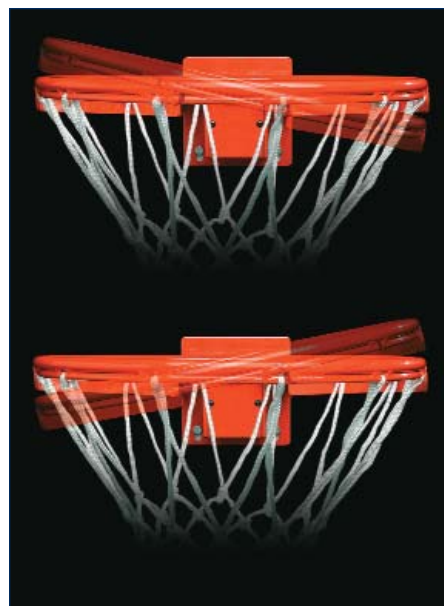


Slam-Dunk® Precision 180 Goal

- High performance goal with 180-degree reflex action for professional and collegiate play
- Factory calibrated to meet rebound elasticity requirements
- Adjustable reflex mechanism maintains NCAA and professional rebound elasticity
- Orange powder coated finish
- Easy Glide net tie system
- Meets all NBA and NCAA specifications
- Seven-year warranty
- U.S. Patent No. 5,716,294

413-577 Slam-Dunk® Precision 180 Goal w/5" x 5" Mounting Pattern

413-574 Slam-Dunk® Precision 180sb Goal w/5" x 4" Mounting Pattern



Slam-Dunk® Precision 180 offers 180-degree reflex action.



Slam-Dunk® Pro Goal

- High performance breakaway goal for professional and collegiate play
- Factory calibrated to meet rebound elasticity requirements
- Front adjust positive lock release mechanism
- Tube-tie net system
- Orange powder coated finish
- Meets all NBA and NCAA specifications
- Ten-year warranty

411-500 Slam-Dunk® Pro Goal w/5" x 5" Mounting Pattern

411-504 Slam-Dunk® Prosb Goal w/5" x 4" Mounting Pattern



Adjustable reflex mechanism maintains NCAA and professional rebound elasticity.

BASKETBALL GOALS



800.435.3865 • www.spaldingequipment.com



Basketball Goals



Slammer Competition 180 Goal

- Performance goal with 180-degree flex action for high school and recreational play
- Adjustable reflex mechanism
- Easy Glide net tie system
- Orange powder coated finish
- Meets NFHS specifications
- Five-year warranty
- U.S. Patent No. 6,447,409

413-585 Slammer Competition 180 Goal w/5" x 5" Mounting Pattern

413-586 Slammer Competition 180sb Goal w/5" x 4" Mounting Pattern



Roughneck Gorilla Goal

- Fixed goal for aggressive play
- Orange powder coated finish
- Single ring configuration
- Unconditional lifetime warranty

411-556 Roughneck Gorilla Goal w/Universal Mounting Pattern



Super Goal

- Fixed goal for playground use
- Orange powder coated finish
- Single ring configuration
- One-year warranty

411-551 Super Goal w/Universal Mounting Pattern



Slammer Competitor Goal

- Performance breakaway goal for high school and recreational play
- Positive lock breakaway mechanism
- Includes continuous ram for hanging net
- Orange powder coated finish
- Meets NFHS specifications
- Two-year warranty

411-508 Slammer Competitor Goal w/Universal Mounting Pattern



Solo Elite Uprights



The new Solo Elite Volleyball System is intended for use on the most competitive courts of play and boasts many features that are new to the market.

Lightweight and incredibly rigid, the unique oval design of Spalding's Solo Elite allows for maximum stiffness with minimal weight. Another key feature of this unit is its versatility. No longer will your choice of uprights be dictated by the diameter of your floor sleeves. From 3" to 4" sleeves and everywhere in between, the expandable base makes set up and teardown easier than ever.

The first upright to bear the Spalding name also carries with it a distinct and sleek appearance. With no external winch, spin locks, or other obstructions, these uprights utilize formfitting pads, which look great and offer superior protection.

Solo Elite - The first of its kind.

Solo Elite Upright Package

includes: **1 & 2**

- Winch and non-winch end uprights
- 408-045 Antennae package
- Floor plate/sleeve not included

Solo Elite Upright Package

Solo Elite Winch End Upright

includes: **1**

- Winch end upright
- 10-year limited warranty
- 408-045 Antennae package
- Floor plate/sleeve not included

Solo Elite Winch End Upright

**Use with the Solo Elite Upright Package to make a two-court setup.*

Solo Elite Center Upright

includes: **2**

- Center upright
- Hitch pin for easy net attachment
- 10-year limited warranty
- Floor plate/sleeve not included

Solo Elite Center Upright

SOLO ELITE VOLLEYBALL



Elite Aluminum Uprights



Elite Aluminum Upright Package

includes: **1 & 2**

- Winch and non-winch end uprights
- 408-045 Antennae package
- Floor plate/sleeve not included

408-295 Elite Aluminum Upright Package

Elite Aluminum Winch End Upright

includes: **1**

- Winch end upright
- 10-year limited warranty
- 408-045 Antennae package
- Floor plate/sleeve not included

408-296 Elite Aluminum Winch End Upright

**Use with the 408-295 Elite Aluminum Upright Package to make a two-court setup.*

Elite Aluminum Center Upright

includes: **2**

- Center upright
- Hitch pin for easy net attachment
- 10-year limited warranty
- Floor plate/sleeve not included

408-297 Elite Aluminum Center Upright

Elite Aluminum Multi-Court Upright

includes: **3**

- Winch end upright with collar-mounted pulley
- 10-year limited warranty
- Floor plate/sleeve not included

408-298 Elite Aluminum Multi-Court Upright

**Use with the 408-295 Elite Aluminum Upright Package and 408-296 Elite Aluminum Winch End Upright to make a three-court setup.*

SPALDING Elite Aluminum Systems are lightweight, easy to set up and meet all USAV, NCAA, NFHS and FIVB specifications.



Slide Multi-Sport Uprights



SPALDING recreational volleyball equipment is built with value, ease-of-use and functionality in mind.

Slide Multi-Sport Upright Package

includes: **1 & 2**

- Winch and non-winch end uprights
- Five-year limited warranty
- Floor plate/sleeve not included

408-465 Slide Multi-Sport Upright Package

Slide Multi-Court Upright

includes: **3**

- Winch end upright with side-mounted pulley
- Five-year limited warranty
- Floor plate/sleeve not included

408-466 Slide Multi-Court Upright

**Use with the 408-465 Slide Upright Package to make a two, three or four-court setup.*

Elite Steel Uprights (not shown)

- Alternative to Elite Aluminum Uprights
- 10-year limited warranty
- Floor plate/sleeve not included

408-290 Elite Steel Upright Package

408-291 Elite Steel Winch End Upright*

408-292 Elite Steel Center Upright

408-293 Elite Steel Multi-Court Upright**

**Use with the 408-290 Elite Steel Upright Package to make a two-court setup.*

***Use with the 408-290 Elite Steel Upright Package and 408-291 Elite Steel Winch End Upright to make a three-court setup.*



SLIDE VOLLEYBALL



800.435.3865 • www.spaldingequipment.com



Ceiling-Suspended Volleyball / Nets



Ceiling-Suspended Volleyball Systems

- Entire system is suspended from the ceiling and stored in a tilt-up position
- System comes complete with net, antennas, steel frame supports, padding, operating equipment and controls
- Unit raises and lowers using an electrically operated winch
- No floor sleeves required. Each leg is equipped with rubber pads to protect floors and a small locking device, which maintains the unit's stability through tension between floor and ceiling framework
- Net adjusts to men's or women's heights without the use of any crank or screw device
- System is painted black as standard color. Other color options available upon request
- Weight of single-court system does not exceed 1500 lbs.

Single-court Quik Set Volleyball System
Two-court Quik Set Volleyball System
Three-court Quik Set Volleyball System



36" Quick Set Net Package

- 36" (91cm) wide net is 32' (9.75m) long, with a 34' (10.4m) top PVC-coated steel cable and a 40' (12.2m) bottom polyethylene rope
- 2" (51mm) vinyl coated nylon binding on top and bottom
- Includes steel dowels, rope ratchets and net tension straps
- Use with Spalding models 408-290, 408-295, 408-465

434-103 36" Quick Set Net Package



Kevlar 1M Net Package

- 1M (39") wide net is 32' (9.75m) long, with a 42' (12.8m) top cable of Kevlar core rope and a 40' (12.2m) bottom polyethylene rope
- Includes steel dowels, rope ratchets and net tension straps
- Use with Spalding models 408-290, 408-295

434-114 Kevlar 1M Net Package

1M Net Package

- Net is similar to model 434-103, except it is 1m (39") wide
- Use with Spalding models 408-290, 408-295

434-104 1M Net Package (not shown)



Floor Plates / Sleeves



Floor Plate/Sleeve

- Cover plate consists of chromed steel 6³/₄" (17cm) O.D. outer ring and hinged steel cap
- Heavy-duty steel sleeve receives a 3" (76mm) O.D. upright and is 9³/₃₂" (23cm) long

408-100 Floor Plate/Sleeve - Pair

408-101 Floor Plate/Sleeve - Each

47646 Cover plate assembly only



Locking Floor Plate/Sleeve

- Chrome-plated cover plate includes hex key for locking top cover
- 1" (25mm) clearance required between top of floor and sleeve
- Cover plate is lockable with hex key (included)

408-450 Locking Floor Plate/Sleeve - Pair

408-451 Locking Floor Plate/Sleeve - Each

45728 Cover plate assembly only

9721110 Cover plate screws only

9914291 Outer ring only



Brass Floor Plate/Sleeve

- Cover plate consists of 6³/₄" (17cm) O.D. brass outer ring and hinged brass cap
- Heavy-duty steel sleeve receives a 3" (76mm) upright and is 9³/₃₂" (23cm) deep

408-420 Brass Floor Plate/Sleeve - Pair

408-421 Brass Floor Plate/Sleeve - Each

70240 Cover plate assembly only



Swivel Floor Plate/Sleeve

- Chrome-plated cover plate accommodates a 3" (76mm) upright

408-552 Swivel Floor Plate/Sleeve - Pair

408-553 Swivel Floor Plate/Sleeve - Each

70430 Cover plate assembly only

Floor Sleeve Adapters*

- Converts existing floor sleeves (any brand) to accept Spalding 3" (76mm) upright
- Unit is designed so it can be easily removed

***Custom measurements required - contact the factory for details**



Referee Platforms and Pads



Freestanding Referee Platform

- Portable unit can be used with any volleyball system
- Base has wheels for easy transporting
- Unit folds for storage
- Platform height is 44" (112cm) high, 29" (74cm) wide
- Unit has protective rubber-tipped legs
- Pads not included

408-116 Freestanding Referee Platform



Freestanding Referee Platform Pads

- Meets NFHS Specifications
- Padding comes in six formfitting sections
- Custom colors available - contact the factory for details

408-068 Freestanding Referee Platform Pads - Red, Six-Piece Set

408-064 Freestanding Referee Platform Pads - Blue, Six-Piece Set



Freestanding Referee Platform Pad

- Meets NFHS Specifications
- Padding comes in one formfitting section
- Custom colors available - contact the factory for details

408-268 Freestanding Referee Platform Pad - Red

408-263 Freestanding Referee Platform Pad - Blue



Supported Referee Platform with Blue Pads

- Fits on 408-295 and 408-290 systems with VB200 or VB300 pads only
- Attaches to upright with collar and locking pin
- Platform includes formfitting padding, which is factory installed and meets all specification requirements
- Padding cover material is 14 oz. vinyl — recommend VB200 upright pads

408-050 Supported Referee Platform with Blue Pads



Upright Padding



NEW! Solo Elite Upright Pads

- Formfitting one piece pads
 - Custom colors available - contact the factory for details
- Solo Elite Pads - Black**

VB100 Upright End Pads

- Made in one piece for end pads
 - Custom colors available - contact the factory for details
- VB100-1008 End Pads - Red**
VB100-1002 End Pads - Blue

VB100 Upright Center Pads

- Made in two pieces for center pads
 - Custom colors available - contact the factory for details
- VB100-1011 Center Pads - Red**
VB100-1003 Center Pads - Blue

VB200 Upright Center & End Pads

- Made in four-sided (two-piece) end pads and center pads
 - Custom colors available - contact the factory for details
- VB200-1006 End Pads - Red**
VB200-1005 End Pads - Blue
VB200-1004 Center Pads - Red
VB200-1008 Center Pads - Blue

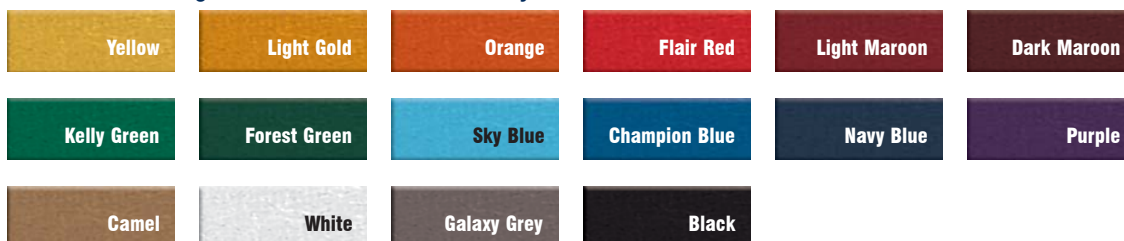
VB300 Upright Center & End Pads

- Made in six-sided (two-piece) end pads and center pads
 - Custom colors available - contact the factory for details
- VB300-1006 End Pads - Red**
VB300-1000 End Pads - Blue
VB300-1016 Center Pads - Red
VB300-1015 Center Pads - Blue

Standard Padding Colors

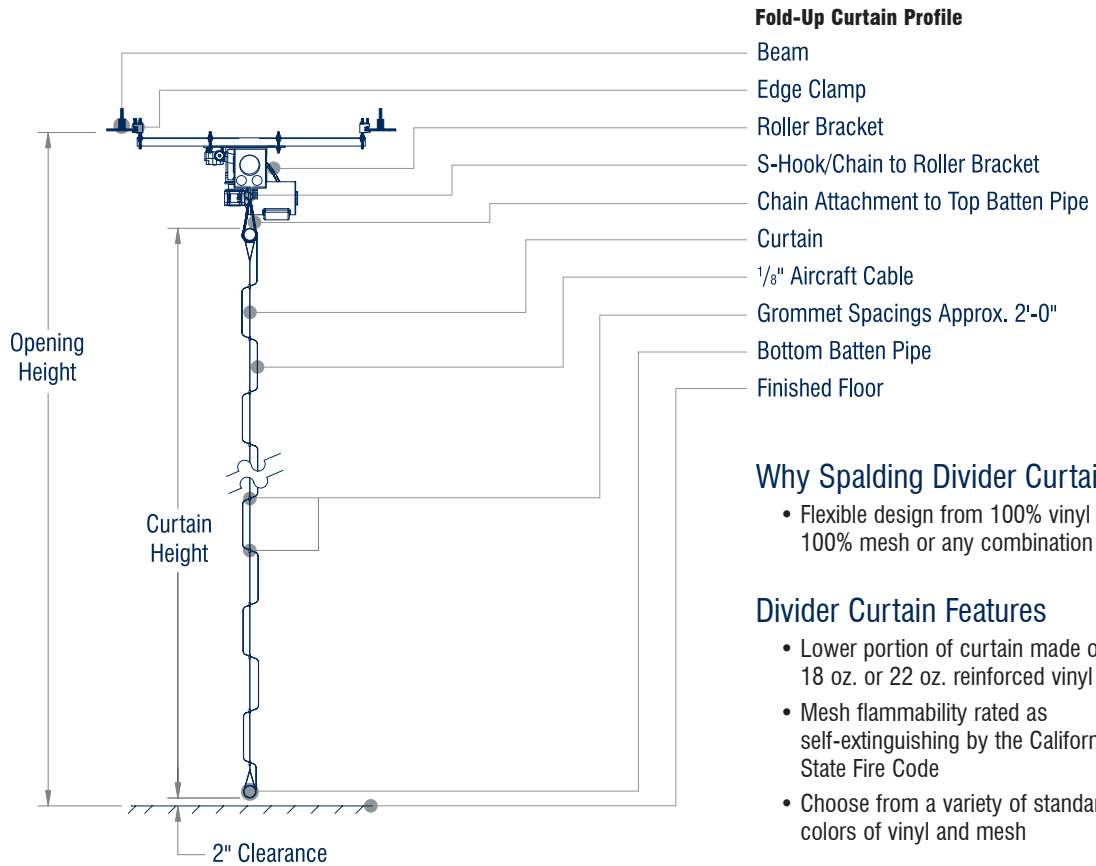
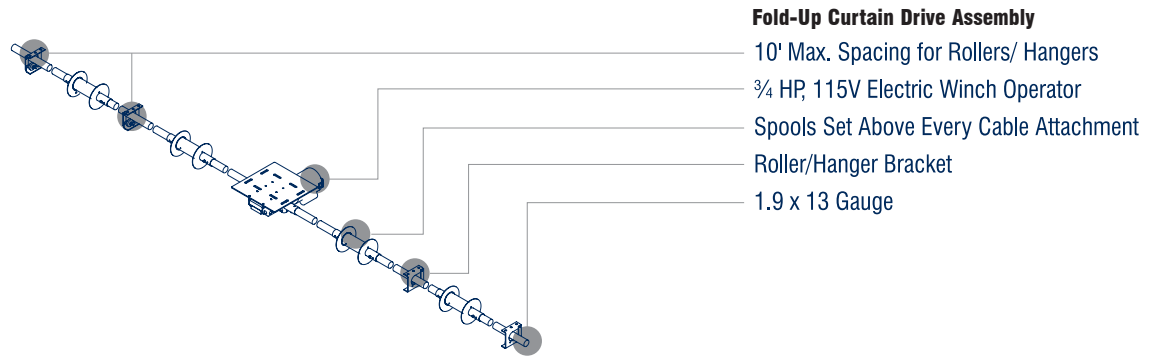


Available Padding Colors - contact the factory for details



Divider Curtains

SPALDING, guided by the manufacturing expertise of AAI, produces a complete line of gymnasium divider curtains including Top Roll, Slope Fold, Fold-Up and Walk-Draw models. Most Spalding divider curtains are designed for electric operation (Walk-Draw is manually operated), enabling gymnasiums to be easily divided into multiple sections.



Why Spalding Divider Curtains?

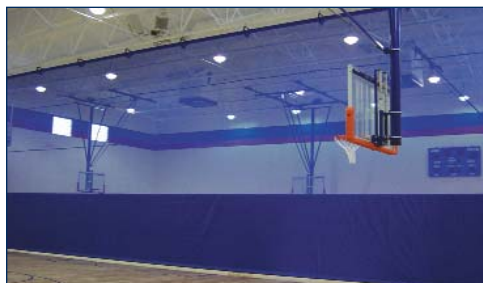
- Flexible design from 100% vinyl to 100% mesh or any combination thereof

Divider Curtain Features

- Lower portion of curtain made of 18 oz. or 22 oz. reinforced vinyl
- Mesh flammability rated as self-extinguishing by the California State Fire Code
- Choose from a variety of standard colors of vinyl and mesh



Divider Curtains / Retractable Batting Cages



Top Roll Divider Curtain



Slope Fold & Radius Fold Divider Curtains



Walk-Draw Divider Curtain



Retractable Batting Cage — Lowered for use

Top Roll

- Maximizes multi-sport use of gymnasium
- No cables, straps or belts required
- The unique drive system allows the curtain to roll up to a compact size of 18 inches

401-856 Top Roll

Slope Fold

- Patented tracking mechanism
- Offers total relief system to allow curtain to evenly and tightly fold into the peak of the building for better hanging appearance and less wrinkling

401-858 Slope Fold

Fold-Up

- Economical electric curtain
- Folds like an accordion

401-855 Fold-Up

Radius Fold

- Primarily used to separate surfaces from the field or track
- Special U-joint couplers allow the curtain to follow the radius of your indoor track

401-857 Radius Fold

Walk-Draw

- Manually-operated curtain designed to economically divide your gym
- Nylon roller allows for simple operation and minimal storage requirements

401-854 Walk-Draw

Retractable Batting Cage

- Easily raised and lowered from the ceiling via electric or manual winch
- Netting is made of high strength polyethylene for longer life
- Netting attaches to eye bolts in frames for easy set-up
- Constructed of heavy-duty 1 $\frac{3}{4}$ " 14-gauge steel tubing
- Finished in black powder
- Standard mesh size 1 $\frac{3}{4}$ " - $\frac{3}{4}$ " mesh also available for golf

417-282 70'L x 14'W x 12'H — 2.5 Braided Net

417-286 55'L x 14'W x 12'H — 2.5 Braided Net

Custom sizes, colors and nets available

DIVIDER CURTAINS



800.435.3865 • www.spaldingequipment.com



Protective Wall Padding

2" Poly Wall Pads*

- 27/16" (62mm) thick protective wall padding that can be permanently installed or removable
- Constructed of 7/16" (11mm) O.S.B backing, 2" polyurethane foam and 14 oz. vinyl cover
- Choose from a variety of standard colors
- Cover meets National Fire Protection Standard 701

Please contact the factory for ordering information.



2" Poly Wall Padding

2" Bonded Wall Pads*

- 27/16" (62mm) thick protective wall padding that can be permanently installed or removable
- Constructed of 7/16" (11mm) O.S.B backing, 2" bonded foam and 14 oz. vinyl cover
- Choose from a variety of standard colors
- Cover meets National Fire Protection Standard 701

Please contact the factory for ordering information.



2" Bonded Wall Padding

6# Rebond Wall Pads*

- 27/16" (62mm) thick protective wall padding that can be permanently installed or removable
- Constructed of 7/16" (11mm) O.S.B backing, 2" rebond foam and 14 oz. vinyl cover
- Choose from a variety of standard colors
- Cover meets National Fire Protection Standard 701

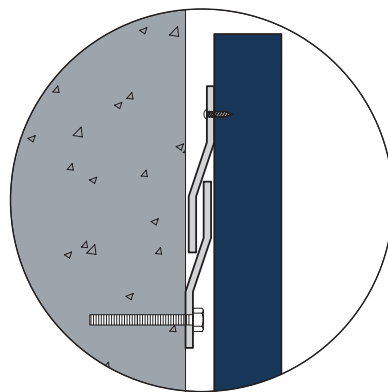
Please contact the factory for ordering information.

Class A Fire Wall Pads*

- 27/16" (62mm) thick protective wall padding that can be permanently installed or removable
- Constructed of 7/16" (11mm) O.S.B backing, 2" polychloroprene foam and 14 oz. vinyl cover
- Class A Fire Rating (meets ASTM E84 testing procedures)
- Choose from a variety of standard colors
- Cover meets National Fire Protection Standard 701

Please contact the factory for ordering information.

**All Wall Pads available with either 1" nailing margin or Z-Clip attachment.*



Z-Clip Installation Drawing

Portable Basketball Backstops



Spalding Portable Backstop

- Main court backstop for international, professional, and collegiate competition
- FIBA approved
- Includes Auto Lift Mechanism (ALM) to permit easy, one-step setup
- Side pads retract enabling fork lifting and visibility of pins
- 10' 8" distance from backboard to front pad. Height adjustable: 6' - 10'
- 4½" thick padding (6" on international backstops) available in 300+ colors
- White powder coated finish (custom colors available)
- 2,000 lbs. of ballast
- Rolls on 6 - 6" x 2" urethane wheels rated for 900 lbs. each
- System includes: SuperGlass™ Pro backboard; Slam-Dunk® Precision 180 goal; boom and base padding; floor anchor
- Warranty: Backstop and lifting mechanism, 10-year; SuperGlass™ Pro backboard, Unconditional lifetime warranty; Slam-Dunk® Precision 180 goal, 7-year; Backboard padding, 5-year

Spalding Portable Backstop



BPI10000 Portable Backstop

- Main court backstop for international, professional, and collegiate competition
- FIBA approved
- 10' 8" distance from backboard to front pad. Height adjustable: 6' - 10'
- Spring-loaded lifting mechanism
- 4½" thick padding (6" on international backstops) available in 300+ colors
- White powder coated finish (custom colors available)
- 2,000 lbs. of ballast
- Rolls on 6 - 6" x 2" urethane wheels rated for 900 lbs. each
- System includes: SuperGlass™ Pro backboard; Slam-Dunk® Precision 180 goal; boom and base padding; floor anchor
- Warranty: Backstop and lifting mechanism, 10-year; SuperGlass™ Pro backboard, Unconditional lifetime warranty; Slam-Dunk® Precision 180 goal, 7-year; Backboard padding, 5-year

401-602 BPI10000 Portable Backstop

PORTABLE BACKSTOPS



800.435.3865 • www.spaldingequipment.com



Portable Basketball Backstops



Hydra-RIB 1125 Portable Backstop

- Main court backstop for international, professional, and college competition
- FIBA recommended 10' 8" distance from backboard to front pad
- Full power-driven hydraulics (self-contained)
- 3" thick 10-piece standard backstop padding (29 standard colors)
- 900 lbs. fitted ballast / 1,250 lbs. removable roll up ballast
- "Stop-10" feature for accurate goal height
- Rolls on 6 - 6" x 2" urethane wheels rated for 1,000 lbs. each
- Shot clock rack and wiring and logo pads sold separately
- Factory representative available at time of delivery to instruct facility personnel in proper assembly, operation and maintenance of the equipment
- System includes: SuperGlass™ Collegiate Backboard, Slam-Dunk® Pro Goal, boom, base and board padding, floor anchored plates, weight cart
- Warranty: Backstop Frame, Lifetime; Backstop lifting mechanism, 5-year; SuperGlass™ Collegiate Backboard, lifetime; Slam-Dunk® Pro Goal, 10-year; Backboard padding, 5-year

411-750 HR1125 Portable Backstop



BPI8000 Portable Backstop

- Main court backstop for professional and collegiate competition
- 8' distance from backboard to front pad. Height adjustable: 6' - 10'
- Spring-loaded lifting mechanism
- 4½" thick padding (6" on international backstops) available in 300+ colors
- White powder coated finish (custom colors available)
- 1,500 lbs. of ballast
- Rolls on 6 - 6" x 2" urethane wheels rated for 900 lbs. each
- Shot clock holder and wiring, protective cover, and logo pads sold separately
- System includes: SuperGlass™ Pro backboard; Slam-Dunk® Precision 180 Goal; boom and base padding; floor anchor
- Warranty: Backstop and lifting mechanism, 10-year; SuperGlass™ Pro backboard Unconditional lifetime warranty; Slam-Dunk® Precision 180 Goal, 7-year; Backboard padding, 5-year

401-601 BPI8000 Portable Backstop



Portable Basketball Backstops



Hydra-RIB1100 Portable Backstop

- Main court backstop for professional, and college competition
- 8' 2" distance from backboard to front pad
- Full power-driven hydraulics (self-contained)
- 3" thick 10-piece standard backstop padding (29 standard colors)
- 800 lbs. fitted ballast
- "Stop-10" feature for accurate goal height
- Rolls on 6 - 6" x 2" urethane wheels rated for 1,000 lbs. each
- Shot clock rack and wiring (logo pads sold separately)
- Factory representative available at time of delivery to instruct facility personnel in proper assembly, operation and maintenance of the equipment
- System includes: SuperGlass™ Collegiate Backboard, Slam-Dunk® Pro Goal, boom, base and board padding, floor anchored plates
- Warranty: Backstop Frame, lifetime; Backstop lifting mechanism, 5-year; SuperGlass™ Collegiate Backboard, lifetime; Slam-Dunk® Pro Goal, 10-year; Backboard padding, 5-year

411-755 HR1100 Portable Backstop



BPI3800 Portable Backstop

- Main court backstop for high school and intramural competition
- 8' distance from backboard to front pad. Height adjustable: 6' - 10'
- Spring-loaded lifting mechanism
- 3" thick padding (6" on international backstops) available in 300+ colors
- White powder coated finish (custom colors available)
- 1,000 lbs. of ballast
- Rolls on 8 - 6" x 2" urethane wheels rated for 900 lbs. each
- System includes: SuperGlass™ Pro backboard; Slam-Dunk® Precision 180 goal; backboard and base padding; floor anchor
- Warranty: Backstop and lifting mechanism, 10-year; SuperGlass™ Scholastic backboard, 20-year; Slam-Dunk® Precision 180 goal, 7-year; Backboard padding, 5-year

401-604 BPI3800 Portable Backstop

PORTABLE BACKSTOPS



800.435.3865 • www.spaldingequipment.com



Portable Basketball Backstops



Hydra-RIB1175 Portable Backstop

- Side court backstop for college and professional practice. Main court backstop for church and recreational competition
- 5' distance from backboard to front pad (8' optional): Height adjustable 8'-10'
- Full power-driven hydraulics (self-contained)
- 3" thick 10-piece standard backstop padding (29 standard colors)
- 600 lbs. fitted ballast
- "Stop-10" feature for accurate goal height
- Rolls on 6 - 6" x 2" urethane wheels rated for 1,000 lbs. each
- System includes: SuperGlass™ Collegiate Backboard, Slam-Dunk® Goal, boom, base and board padding, - floor anchored plates
- Warranty: Backstop Frame, lifetime; Backstop lifting mechanism, 5-year; SuperGlass™ Collegiate Backboard, lifetime; Slam-Dunk® Goal, 10-year; Backboard padding, 5-year

411-760 HR1175 Portable Backstop



BPI3000 Portable Backstop

- Side court backstop for college and professional practice. Main court for church and recreational competition
- 5' distance from backboard to front pad. Height adjustable: 6' - 10'
- Spring-loaded lifting mechanism
- 3" thick padding available in 300+ colors
- White powder coated finish (custom colors available)
- 1,000 lbs. of ballast
- Rolls on 8 - 6" x 2" urethane wheels rated for 900 lbs. each
- Shot clock holder and wiring, protective cover, and logo pads sold separately
- System includes: SuperGlass™ Scholastic backboard; Slam-Dunk® Precision 180 Goal; backboard and base padding; floor anchor
- Protective covers and logo pads sold separately
- Warranty: Backstop and lifting mechanism, 10-year; SuperGlass™ Scholastic backboard, 20-year; Slam-Dunk® Precision 180 Goal, 7-year; Backboard padding, 5-year

401-600 BPI3000 Portable Backstop



Outdoor Pole Systems



OD6 Dominator Pole System

- OD6 system includes a 6" square pole, Steelsb Backboard, and Roughneck Gorilla Goal (components can be purchased separately)
- Black powder coated finish
- Unconditional lifetime warranty

402-806 OD6 Pole System with Steelsb Backboard and Roughneck Gorilla Goal

402-797 OD6 Pole



OD658 Enforcer Pole System

- OD658 system includes a 6⁵/₈" O.D. galvanized steel pole, Steelsb Backboard, and Roughneck Gorilla Goal (components can be purchased separately)
- 6' of run-out room from backboard to pole
- Unconditional lifetime warranty

402-825 OD658 Pole System with Steelsb Backboard and Roughneck Gorilla Goal

402-807 OD658 Pole



OD1 Gooseneck Pole Systems

- Galvanized gooseneck poles available in 3½" or 4½" O.D. and 3', 4' and 5' extensions
- Unconditional lifetime warranty

402-798 OD1 System, 3½" O.D. Pole, Steel Fan Backboard & Roughneck Gorilla Goal

402-801 3½" O.D. Pole with 3' extension

402-799 OD1A System, 4½" O.D. Pole, Steel Fan Backboard & Roughneck Gorilla Goal

402-821 OD1B System, 4½" O.D. Pole, Steel Fan Backboard & Roughneck Gorilla Goal

402-800 4½" O.D. Pole with 4' extension

402-822 4½" O.D. Pole with 5' extension

411-808 Rear Mount Gooseneck System, 4½" O.D. Pole, Steel Fan Backboard & Roughneck Gorilla Goal

411-801 4½" Rear Mount Gooseneck Pole with 4' extension



OD3 Edge Pole System

- OD3 Edge includes two 4" square poles with 4' extension arms. Designed specifically for rectangular backboards (backboard not included)
- Black powder coated finish
- Unconditional lifetime warranty

402-803 OD3A for 72" x 48" Rectangular Backboard

402-823 OD3B for 72" x 42" Rectangular Backboard



Gymnasium Equipment Controls

TotalGym™ Controller with Siemens Touch Screen

- Only system of its kind to create scenes at a touch of a button, which allows you to customize the equipment scenario you need by date and time
- Controls your gymnasium with easy-to-operate computer touch screens
- Two-level password protection, keyless login
- Easily operates:
 - Ceiling-Suspended Backstops
 - Divider Curtains
 - Retractable Batting Cages
 - Height Adjusters
- Activate scoreboards, lights, and sound systems
- Easily retrofits into existing gymnasium



TotalGym™ Controller with Siemens Touch Screen

GC100 TotalGym™ Controller with Siemens Touch Screen

TotalGym™ Controller with Red Lion Text Display

- Operate gymnasium components with computer touch pad
- Password protected, keyless login
- Single location operation of:
 - Ceiling-Suspended Backstops
 - Divider Curtains
 - Retractable Batting Cages
 - Height Adjusters
- Activate scoreboards, lights, and sound systems
- Easily retrofits into existing gymnasium



TotalGym™ Controller with Red Lion Text Display

GC100 TotalGym™ Controller with Red Lion Text Display

